



# AIRCHARGER™

## HIGH-FLOW INTAKE KITS

### INSTALLATION INSTRUCTIONS

63-1125

## Harley Davidson

2001-03

Heritage Springer

1450cc

2001-06

Fat Boy, Night Train, Softail Deuce

Softail Standard, Springer Softail

1450cc

2002-06

Road King Classic, Electra Glide

Classic, Heritage Softail Classic

1432cc

2002-06

Ultra Classic Electra Glide, Road Glide

1450cc

2003-06

Road King, Electra Glide Standard

1450cc

2004-05

Dyna Super Glide Sport

1450cc

2004-06

Road King Custom, Dyna Super

Glide, Dyna Low Rider, Dyna Wide Glide

1450cc

2005-06

Softail Deluxe, Dyna Super Glide Custom

1450cc

2007-09

Fat Boy, Softail Deluxe, Night Train,

Softail Custom

1584cc

2007-09

Heritage Softail Classic

1586cc

2008-09

Rocker, Rocker C

1584cc

2005

Softail Springer Classic

1432cc

2006

Street Glide, Heritage Softail, Street Bob,

35th Anniv. Super Glide

1450cc

2007

Road King, Road King Custom,

Electra Glide Standard, Ultra

Classic Electra Glide, Street Glide,

Softail Springer, Road Glide, Dyna,

Super Glide, Dyna Street Bob, Dyna

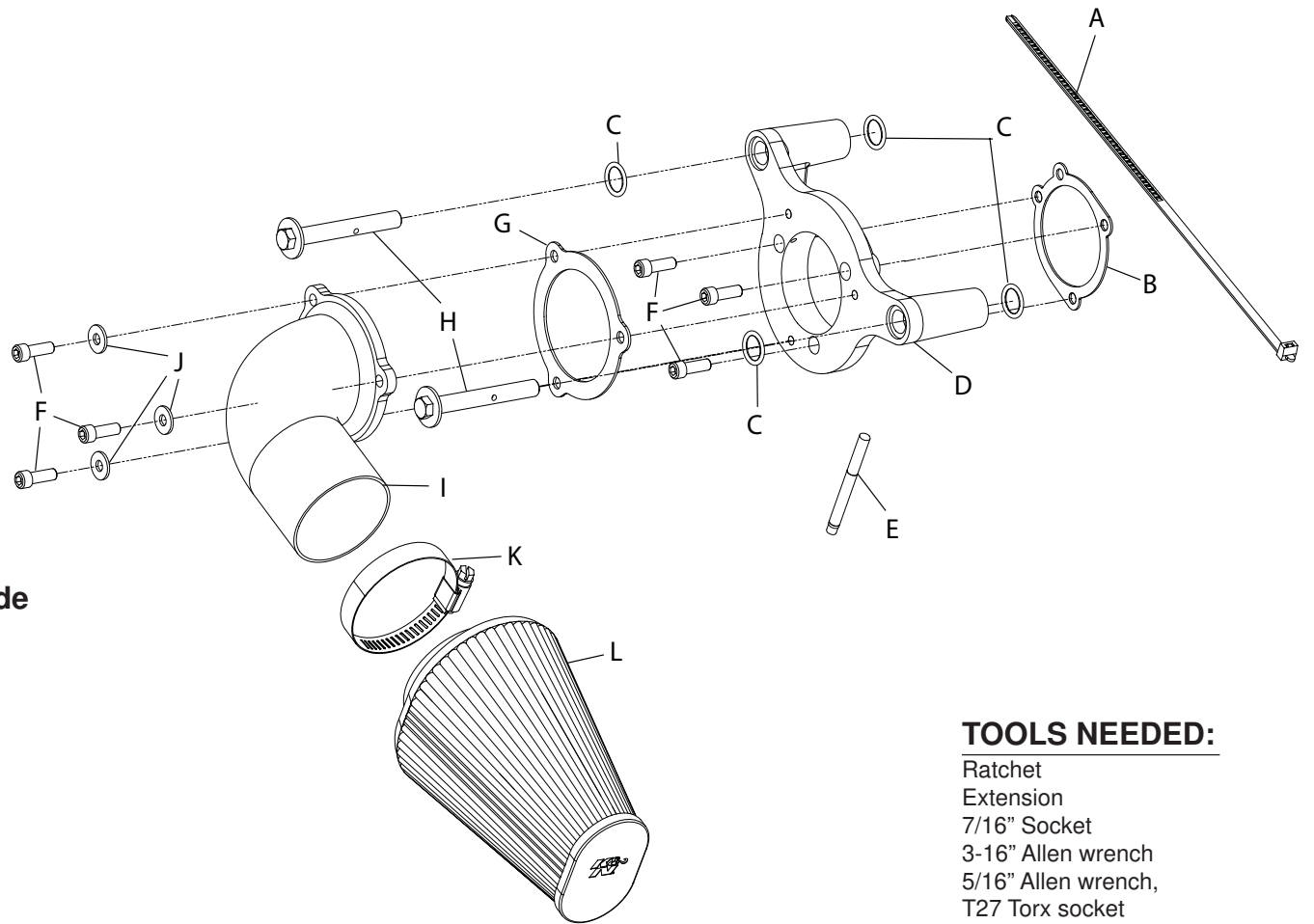
Super Glide Custom, Dyna Low

Rider, Dyna Wide Glide, Softail

Standard, Softail Deuce, Road King

Classic, Electra Glide Classic

1584cc



#### TOOLS NEEDED:

Ratchet  
Extension  
7/16" Socket  
3-16" Allen wrench  
5/16" Allen wrench,  
T27 Torx socket

#### PARTS LIST:

Description	Qty.	Part #	Description	Qty.	Part #
A Cable Ties; 11" Black	1	21590	G Gasket; Harley Davidson	1	09708
B Gasket; Keihin Carb.	1	09267	H Bolt; Breather, 4340	2	22212
C O-ring; 9/16" ID, .10 Thick	4	07761	I Intake tube	1	27459
D Back Plate; Harley Davidson	1	01907	J Washer; 6MM Flat, SS	3	08269
E Roush Threadlocker	1	ROUSH-482	K Hose Clamp #40	1	18830
F Screw; 1/4-20 X 3/4 SOC.	6	07731	L Air Filter	1	RC-3680

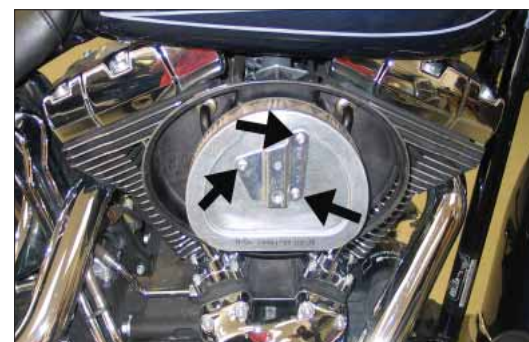
**NOTE: FAILURE TO FOLLOW INSTALLATION INSTRUCTIONS AND NOT USING THE PROVIDED HARDWARE MAY DAMAGE THE INTAKE TUBE, THROTTLE BODY AND ENGINE.**

#### TO START:

1. Turn off the ignition and disconnect the negative battery cable.



2. Remove the air filter cover retaining bolt and then remove the air filter cover as shown.



3. Remove the three air filter retaining bolts shown.



4. Remove the air filter with the breather hoses as shown.



5. Remove the two crankcase breather bolts shown.



6. Remove the air filter breather base as shown. **NOTE: K&N Engineering, Inc., recommends that customers do not discard factory air intake.**



7. Using the provided tie wrap, secure the loose pig tail to the throttle position switch wiring harness.





8. Install two of the o rings provided onto the back side of the K&N back plate as shown.



9. Install the remaining two provided o rings onto the front of the back plate as shown.



10. Using the two provided crank case breather bolts; install the back plate onto the vehicle as shown. Do not tighten the breather bolts at this time.



11. Install the provided gasket between the throttle body and back plate and then secure the back plate to the throttle body with the hardware provided. Tighten the crank case breather bolts.

**NOTE: Apply one drop of the provided thread locker onto the provided bolts.**



12. Install the K&N intake tube with the gasket and secure with the provided hardware.

**NOTE: Apply one drop of the provided thread locker onto the provided bolts.**



13. Install the K&N air filter onto the intake tube and secure with the provided hose clamp.

14. Double check to make sure everything is tight and properly positioned before starting the vehicle.

15. It will be necessary for all K&N® high flow intake systems to be checked periodically for realignment, clearance and tightening of all connections. Failure to follow the above instructions or proper maintenance may void warranty.

#### ROAD TESTING:

1. Start the engine with the transmission in neutral or park. Listen for air leaks or odd noises. For air leaks secure hoses and connections. For odd noises, find cause and repair before proceeding. This kit will function identically to the factory system except for being louder and much more responsive.

2. Test drive the vehicle. Listen for odd noises or rattles and fix as necessary.

3. If road test is fine, you can now enjoy the added power and performance from your kit.

4. K&N Engineering, Inc., suggests checking the air filter element periodically for excessive dirt build-up. When the element becomes covered in dirt (or once a year), service it according to the instructions on the Recharger® service kit, part number 99-5050 or 99-5000.