

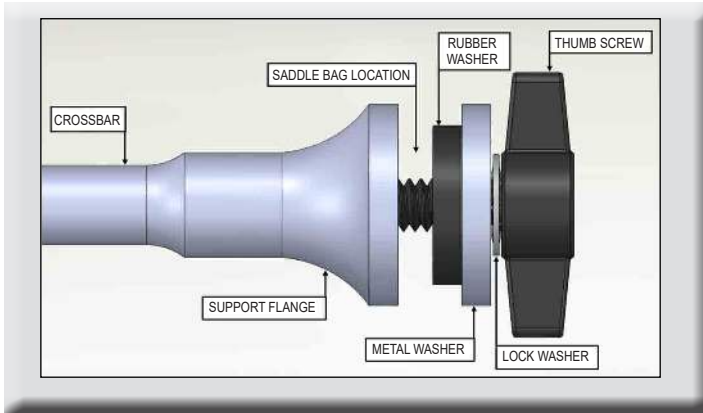


NEW PRODUCT

October 10, 2023



Manufacturing Valvetrain For 80-Years & 2-Generations



HARLEY-DAVIDSON

SADDLEBAG STABILIZER

Manufactures	Harley-Davidson®
Years	2017-2023
Models	Low Rider ST

KPMI P/N	Kit Includes			
	20-24450	1 Pc.	Crossbar	2 Pcs.
2 Pcs.		Metal Washers	2 Pcs.	Thumb Screws
2 Pcs.		Rubber Washers	2 Pcs.	Lock Washers
1 Pc.		Transfer Punch Installation Tool		
Retail		\$62.42		

KPMI® is proud to introduce a precision solution for Low Rider ST saddlebags. Due to a lack of mounting support, the OE saddlebags are susceptible to shaking and vibration, particularly at high speeds. The KPMI® saddlebag stabilizer creates a direct link between both bags and significantly strengthens the system, reducing the unwanted movement of the bags.

The stabilizer bar is CNC machined from 6061-T6 aluminum and Hard Anodized black for superior durability.

The included thumb screws allow for easy assembly and disassembly of the kit.

Contact a KPMI® Sales Representative Today!

650-557-2046, Ext. 802

VISIT US AT WWW.KPMI.US