

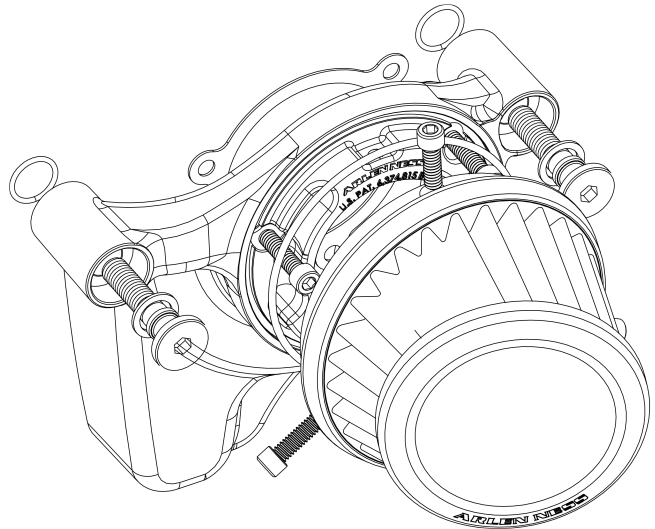


ARLEN  
NESS

**Mini 22° Air Cleaner Part #'s:**  
600-020 / 600-021

**Fitment: 17-up M8 Engines**  
17-up FLT Touring / 18-up  
Softails

**ARB E.O. D-639-8**



### Air Cleaner Kit Contents:

- 1 Backing Plate (81-015-1)
- 1 22 Degree Performance Air Filter
- 1 Arlen Ness Logo Badge (18-203-8)
- 1 M8 Servo Cover (81-016-1B)
- 1 Hardware Kit

### Hardware Kit Contents:

- 2 Breather Bolts (18-457-4C)
- 2 Breather Bolt Copper Washers
- 2 Breather Bolt O-Rings
- 1 Throttle Body Gasket (18-457-3)
- 3 Throttle Body / Manifold Hardware: 1/4-20 x 1
- 3 Servo Cover Stainless Washers
- 3 Servo Cover Hardware: 6-32 x 1/4
- 2 Logo Badge Hardware: M6 x 1.0
- 3 Filter Mounting Hardware: 1/4-20 x 3/4
- 1 Large Backing Plate O-Ring

- Step 1** 1A) Remove the existing air cleaner and backing plate per the service manual for your model
- 1B) Remove factory throttle body support bracket. Clean the flange on the throttle body and the surfaces on the cylinder heads where breather bolts will be installed. Install Arlen Ness logo badge on top of the throttle body using the M6 x 1.0 stainless button heads (2)

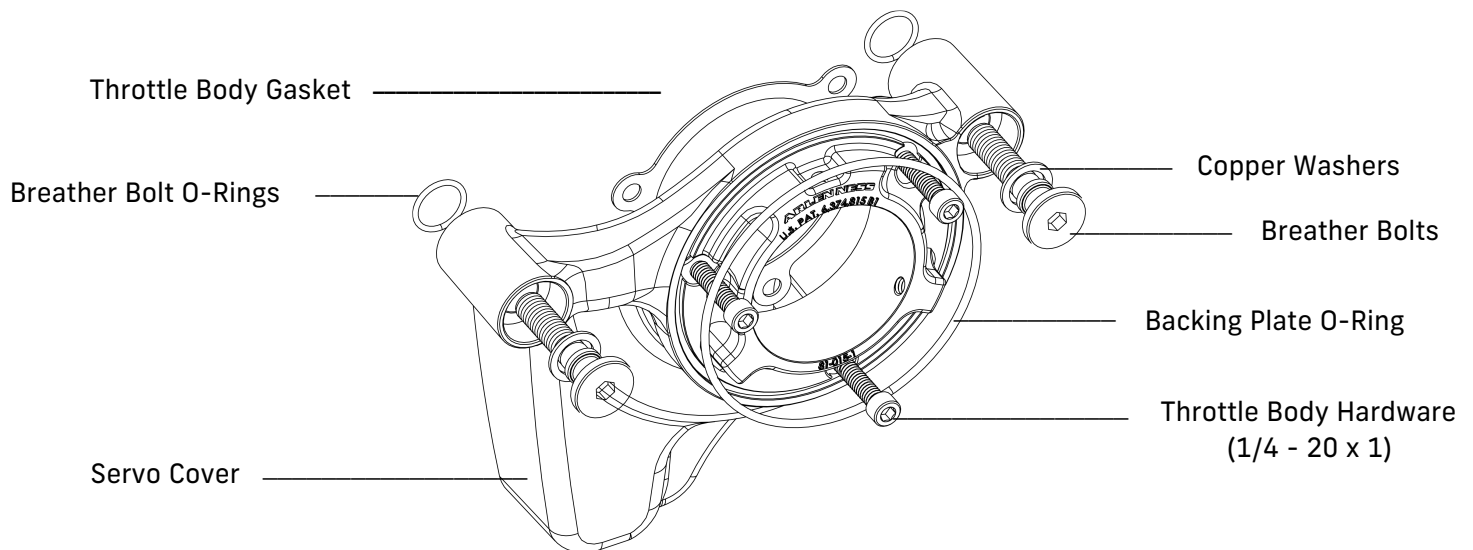


- 1B) Remove factory throttle body support bracket



- 1B) Install Arlen Ness logo badge, utilize mounting holes from removed bracket

## Step 2 Backing Plate Assembly & Installation



- A) Install the throttle servo cover using the supplied (3) stainless steel 6-32 x 1/4 bolts & washers and torque to 20-25 In-lbs.
- B) Obtain the supplied backing plate and place the supplied breather bolt o-rings in the grooves on the back side of backing plate using a small dab of grease to help keep them in place
- C) Insert the (3) 1/4-20 x 1 throttle body / manifold bolts into the backing plate with a small drop of #242 blue threadlocker (not supplied). Use the bolts to help locate and hold the throttle body gasket in place
- D) Loosely install the backing plate to the intake manifold using the (3) 1/4-20 x 1 bolts that are holding the gasket in place
- E) Install the (2) copper washers onto the breather bolts and apply a small amount of blue threadlocker onto the threads. Loosely install the breather bolts through the backing plate into the cylinder heads
- F) Alternately tighten the (3) intake manifold bolts and torque them to 10-12 Ft-Lbs. Then tighten the breather bolts to 18 Ft-Lbs. Then locate and install the large backing plate o-ring and fully seat it into the groove in the backing plate

## Step 3 Install Mini 22 Filter Assembly

Apply threadlocker to the remaining (3) 1/4 x 20 x 3/4 bolts. Place the Mini 22 Filter assembly over the backing plate, align the mounting holes, and install hardware. Once all three bolts are installed and seated, torque the filter bolts to 7-8 Ft-Lbs

