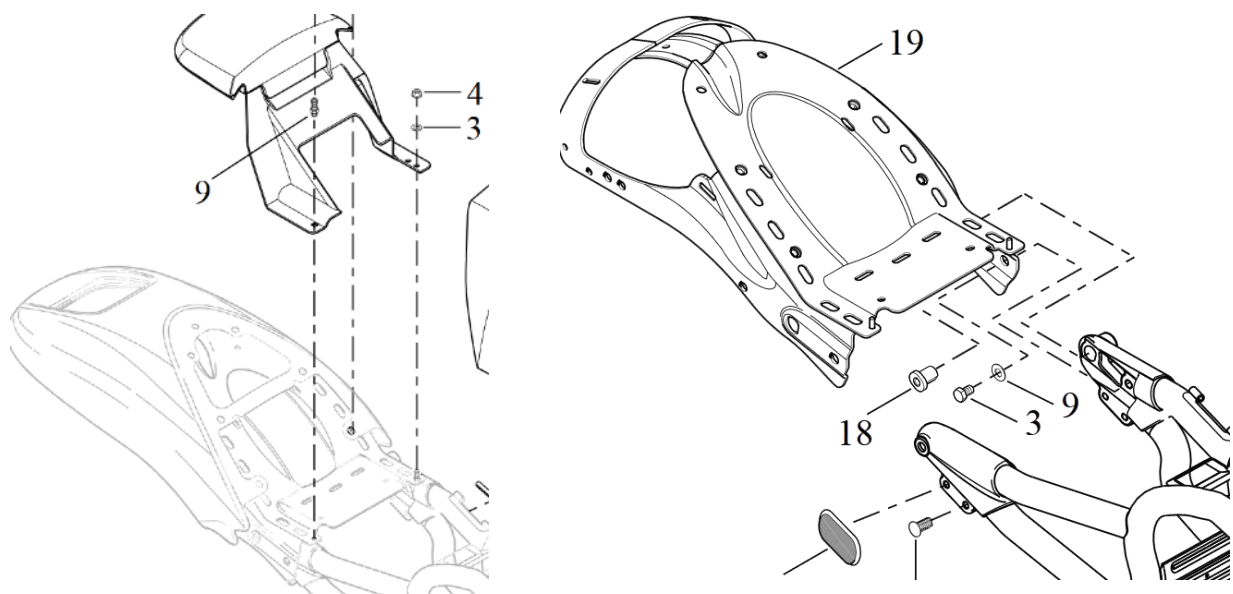


When carrying out the following work, raise the motorbike by the lower frame so that the rear swingarm is in the air with the rear wheel and the shock absorbers are relaxed. Secure the motorbike against falling over or rolling away.

Dismantling original rear

1. Dismantle the original seat and remove the riveted hinge from the seat - this is needed for the later conversion.
2. Loosen the nut (4) as well as the metal pin (9) and remove the rear part of the seat.
3. Loosen the shock absorbers screwed to the metal bushings (18) as well as the screws (3) and remove the original inner fender (19).



Mounting new rear

1. Place the new inner fender in the position of the old one, retighten the original screws (3)
2. Screw the metal pin (9) back on.
3. Place the control unit under the large sheet metal housing and fix it in place. Intermediate step optional for 2-seater (HD-ROD061):
Attach the seat pad to the holes provided on the rear fender
The second control unit is placed under the smaller sheet metal housing
4. The fuse holder is pushed onto the smaller sheet metal housing.
5. The ABS tail is attached to the inner fender with the supplied screws (8x hexagonal self-tapping screw).
6. The new seat is hooked onto the hinges and folded shut.
7. Put the metal bushes (18) back in place and screw the shock absorbers back on.

Tightening torques:

- ABS rear screw connection: 5 to 10Nm
- Screws (3): 25 to 30Nm
- Shock absorber: 50 to 60Nm

We recommend using a medium-strength screw lock (e.g. LOCTITE 243, blue) for all screws.

! Note !

For the installation of the rear it is necessary to dismantle the original rear incl. licence plate holder and light system. A side licence plate holder (e.g. HD-ROD012) and a lighting system that complies with the law (e.g. HD-UNI005 incl. holder HD-ROD050) must be fitted.



Abb. 1 – HD-ROD061 with side number plate holder & light system



Abb. 2 – ABS- rear and inner fender system